



Workshop

Round table discussion on products with
repartition of energy

ARP Workshop, 16th March 2017

ARP designation : different options

ARP is sending nominations to Elia

➤ Principle : one ARP responsible for injection & off-take

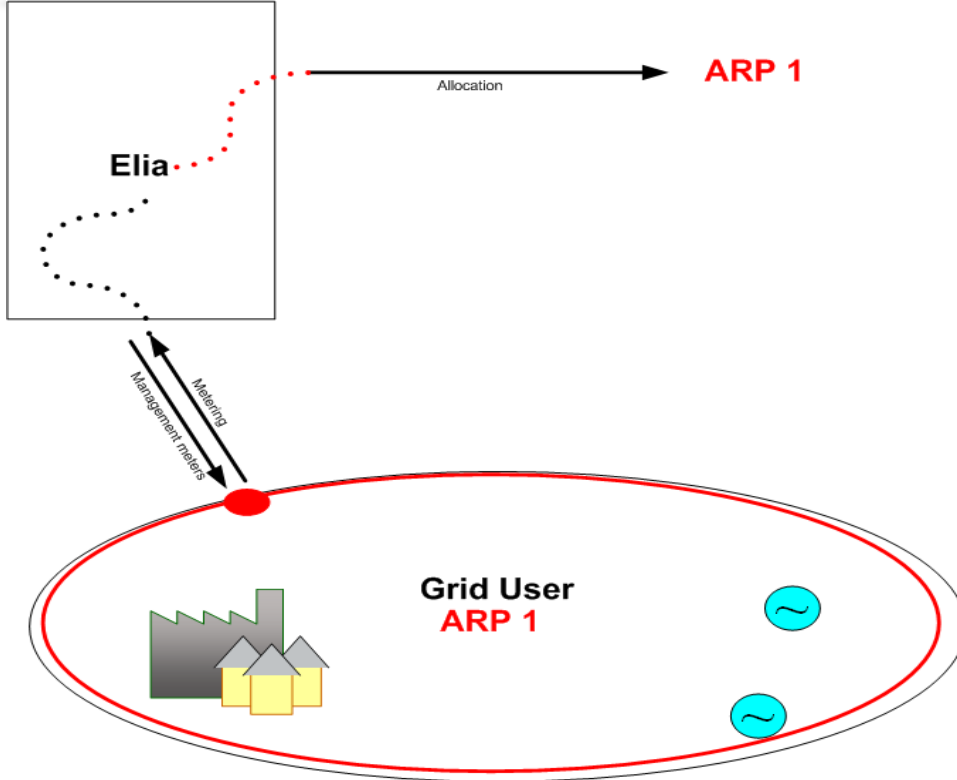
Possibility to have more than one ARP:

- More than one ARP in case of off-take
- More than one ARP in case of injection
- Different ARP for off-take & for injection

If there is more than one ARP for off-take, there is always one “follow up ARP” (or lead ARP) : responsible for differences between nominations and real time measurements

In case of injection, the ARP must also sign the CIPU-contract

Access contract appendix 3 (standard case)



The **ARP for injection and off-take** is charged with the follow-up of the injection and off-take of the access point.

Balancing perimeter is determined using a "net" measurement of injection or off-take (observed on Elia Grid)

ARP designation: different ARPs

Different ARP for off-take and for injection

- One follow-up ARP for the off-take
- One (other) follow-up ARP for the injection

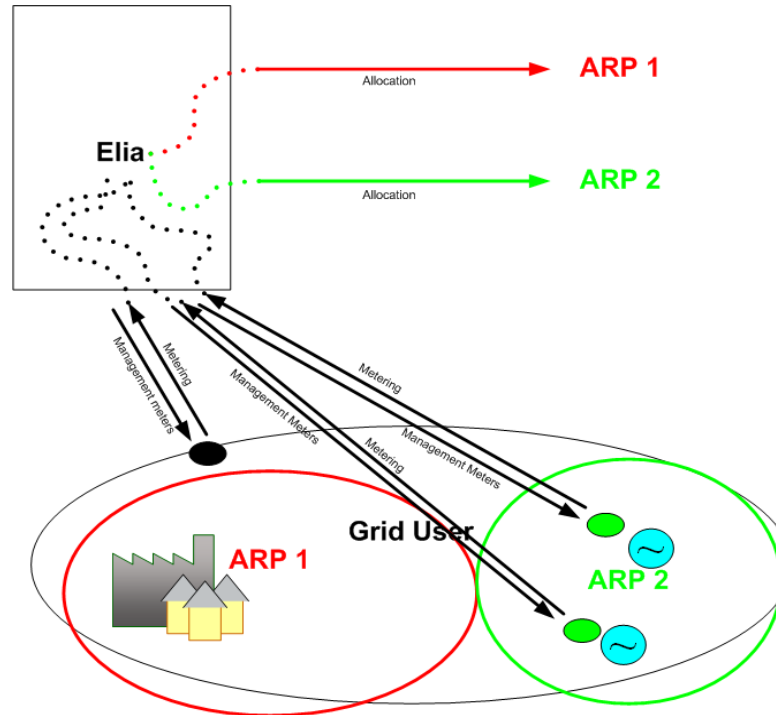
The **follow-up ARP for the offtake** is charged with the follow-up of load offtake

The **follow-up ARP for the injection** is charged with follow-up of local production injection

2 products:

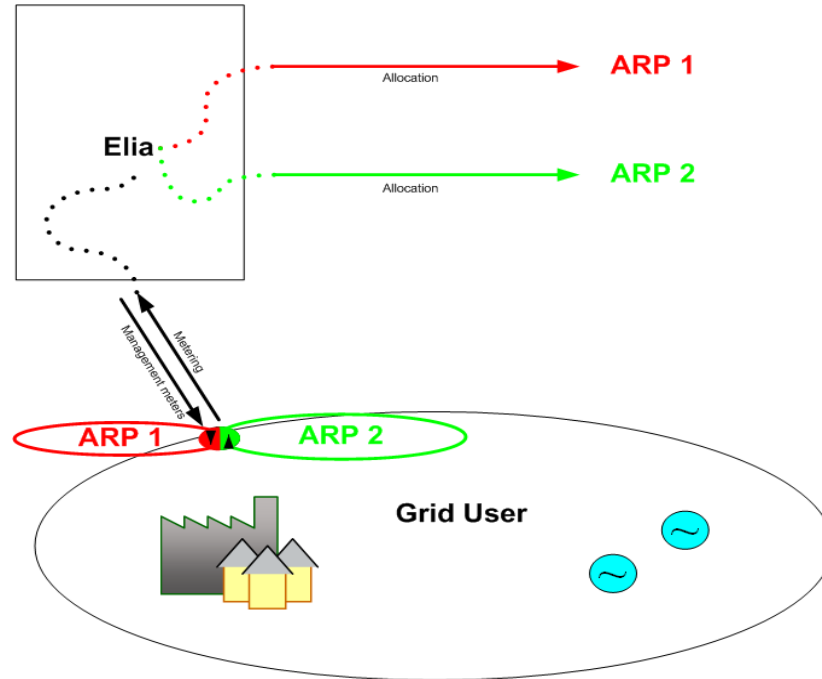
- Appendix 3bis
- Appendix 3ter

Access contract appendix 3 bis

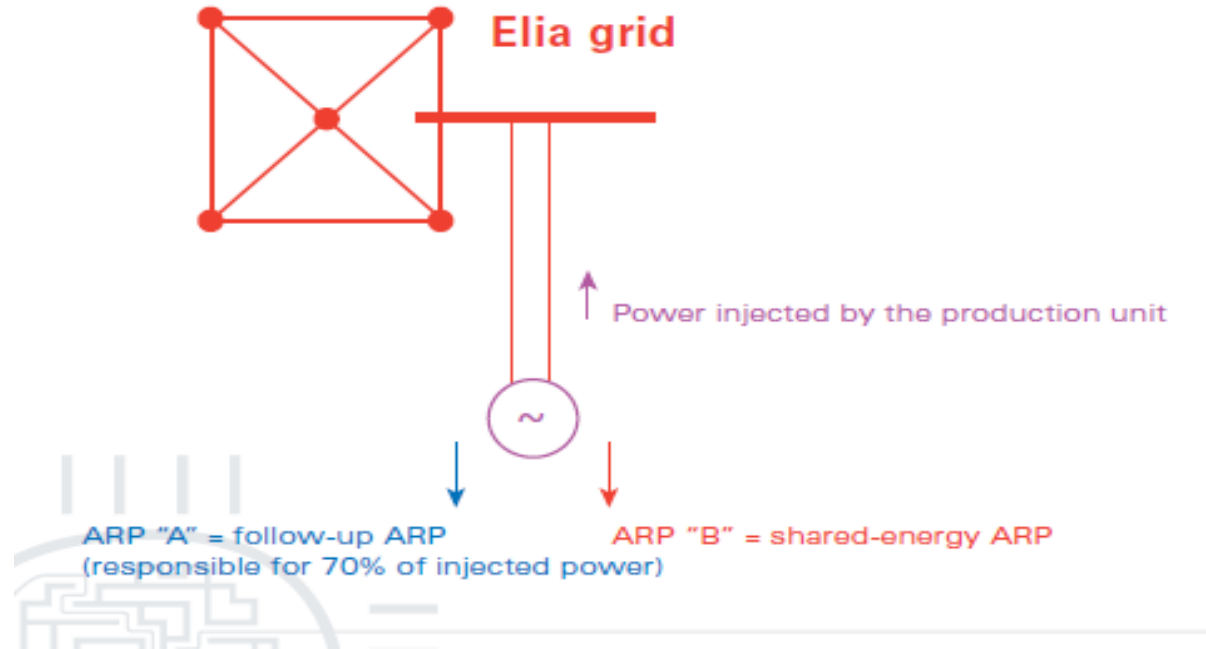


Product sheet: Two ARPs on one local production site (A4)

Access contract appendix 3 ter



Access contract appendix 9

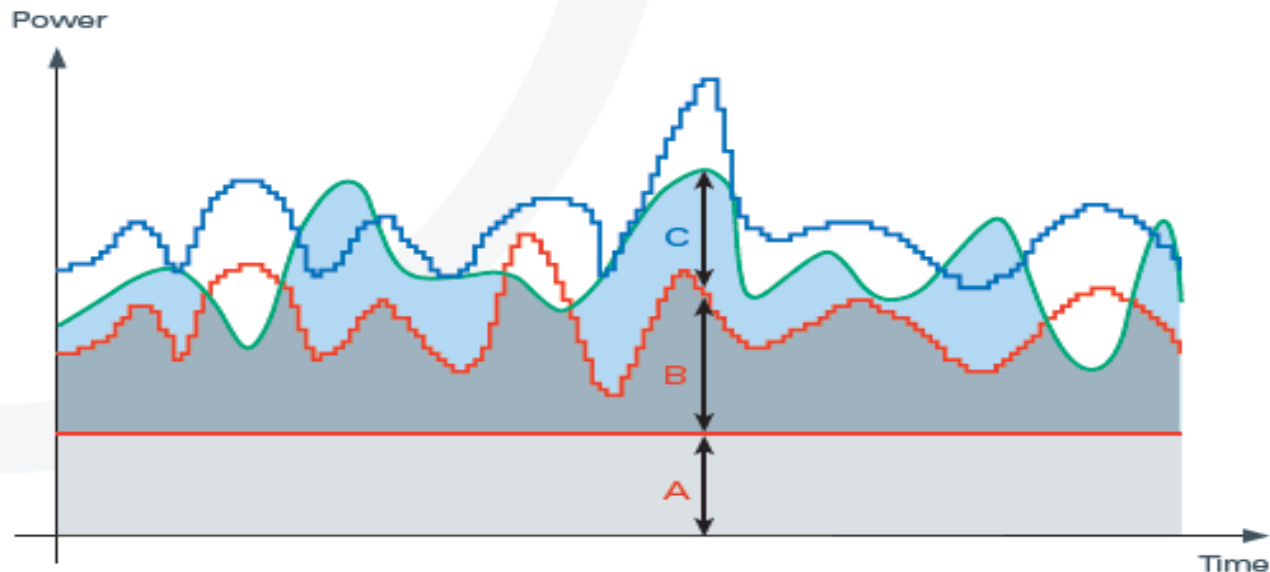


Product sheet: Sharing balance responsibility for injections into the Elia grid (A5)

Products Appendices 10 - 11

More than one ARP in case of off-take:

- One follow-up ARP - Appendix 3
- One (other) ARP responsible for band energy – Appendix 10 or 11



Value A, which applies for one month: this value is considered to represent the fixed-band ARP's nominations for the month in question

B values, each relating to a quarter-hour = nominations made by the flexible-band ARP

C values = (quarter-hourly) nominations made by the follow-up ARP

Actual off-take

- Balancing perimeter of the fixed-band ARP
- Balancing perimeter of the flexible-band ARP
- Balancing perimeter of the follow-up ARP

Discussion

- Why so little use of these products ?
- No more adapted to 2017 needs ? Design outdated ? Too complex ?
- Additional complexity with Transfer of Energy !
- Need of better knowledge about them ?
- Need of other products ?
- Ideas ?

Many thanks for your attention!

ELIA SYSTEM OPERATOR
Boulevard de l'Empereur 20
1000 Brussels

+32 2 546 70 11
info@elia.be

www.elia.be
An Elia Group company