



Modifications Federal Grid Code

Topic CDS - Cartography of competencies

WG Belgian Grid
22/11/2016



Topic CDS – Status

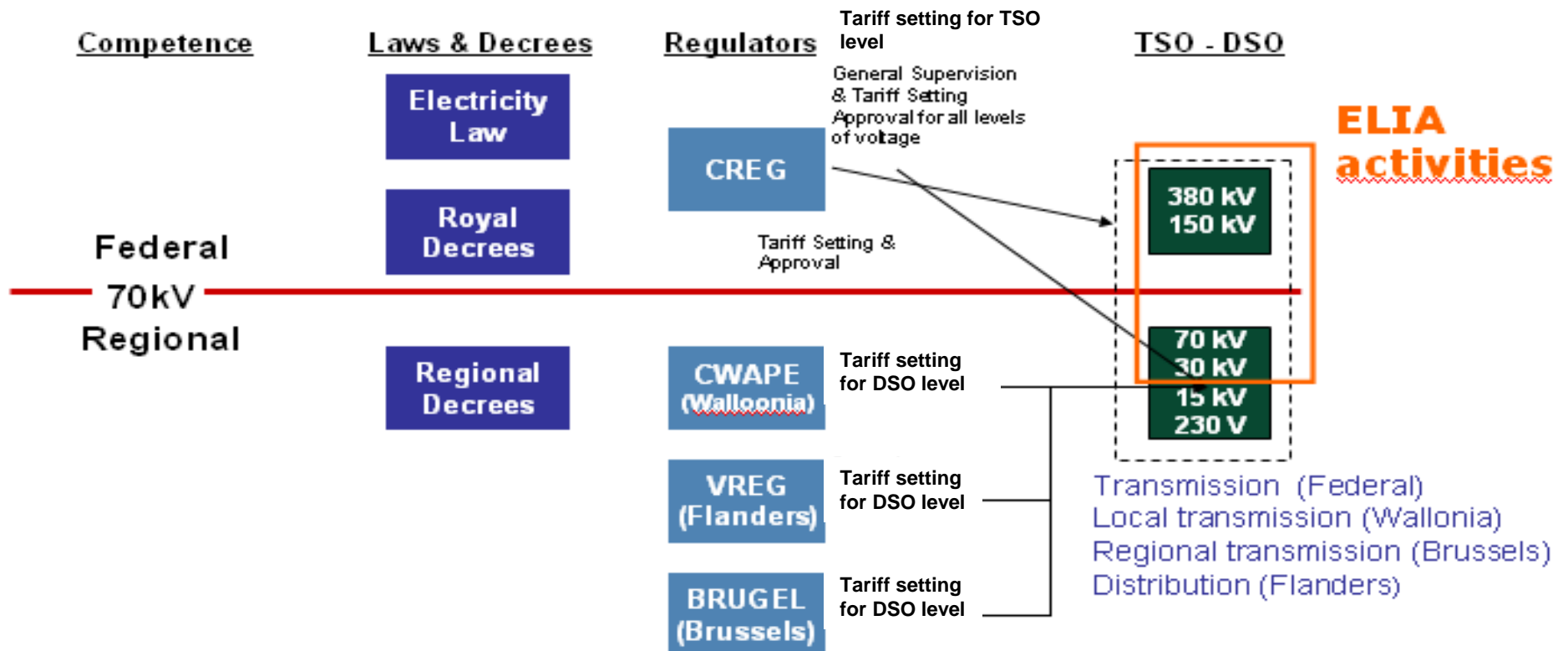
Discussion in Users' Group – January 2013

- Minutes of the consultation meeting of January 28th, 2013
- Adapting of the Federal Grid Code : proposals on CDS

Feedback WG BG 26/10/2016

- Establish a cartography of current & desired federal - regional competence, before starting to write legislation.
 - Common understanding : market issues have to be described in the federal grid code (frequency issues as for example), while internal regulation of CDS (technical and contractual) are better placed in regional grid codes
- To check legal 'As is' & 'to be' situations

Regulatory map of competencies in BE



Federal & regional competencies for CDS: An exclusive shared competency



Special Law 8/8/1980 institutional reform (art. 6 § 1er, VII):
energy policy = exclusive shared competency

Federal competence	Regional competence
Matters with technical & economic indivisibility (unity needed at BE level)	New energy sources (except nuclear) – cogeneration
Economic & monetary union, property right, competition rules	Energy efficiency
Traditional ways to produce (including nuclear) & Off-shore electricity production	Distribution & local transmission
Studies on security of supply	
Large storage infrastructures	
Transmission grid (> 70kV)	



Including CDS,
as a kind of DSO

Core competence CDS = regional

CDS is a kind of distribution network, independently of tension level of CDS connexion point to public grid

=> Parts of CDS grid $\leq 70\text{kV}$

Residual competence = federal

Only parts of CDS grid $> 70\text{kV}$

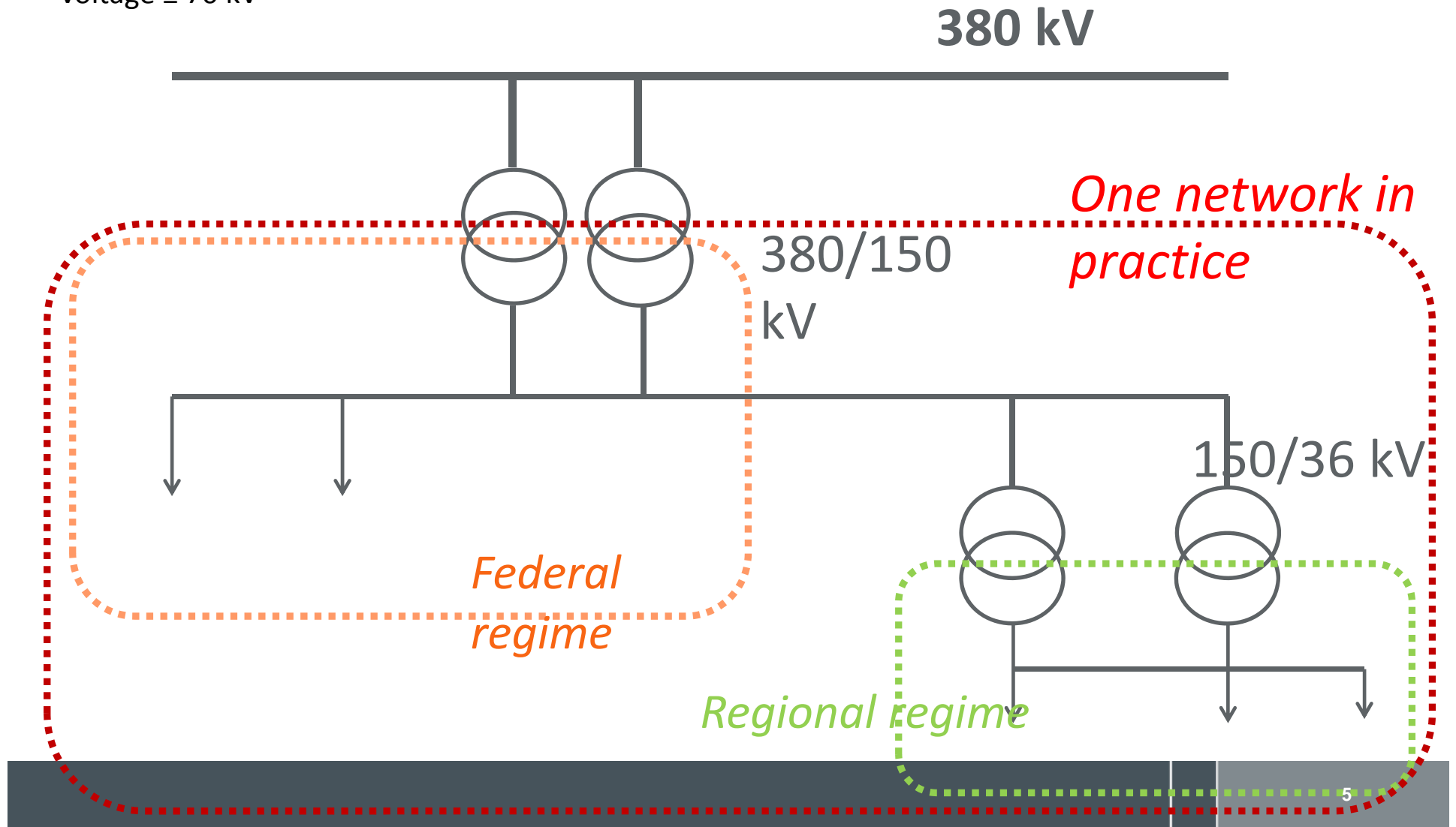
Art. 18bis of the Electricity Act amended following the Act of 8 January 2012

Ruling of Constitutional Court of 7 July 2013 (gas sector: a CDS is a distribution system in its essence => regional matter)

New Art. 18bis under Act of 23 December 2013

Federal & regional competencies for CDS: An exclusive shared competency – Consequences

CDS operating at a nominal voltage > 70 kV subjected to two regimes under Belgian law: both federal AND regional regime if, within the CDS network, the network is also operated at a nominal voltage ≤ 70 kV



Federal & regional competencies for CDS: The current legal framework



		Rules	Link	Content
Federal	CDS connected >70kV	Electricity Law No rules in grid code		Art. 18bis (CDS declaration process, TPA, connexion & access contracts, tariffs regime, network operation); Art 18ter (network INFRABEL)
Flanders (regional level)	For CDS connected to Elia (PVN: plaatselijk vervoernet) for connection point and for installations ≥ 70 kV	TR PVN	Technisch Reglement Plaatselijk Vervoernet van Elektriciteit	Beheer CDS in het algemeen: toegang, Informatie-uitwisseling, beheer van het koppelpunt met Elia Planningsgegevens voor het PVN Aansluitingsregels voor elke gebruiker binnen een CDS Toegang : toegangssregister, berichten van wijziging, toegangprocedure voor een achterliggend toegangspunt, verklaringen BRP & toegangshouders voor achterliggend toegangspunt, buitendienststelling, onderbrekingen van de toegang, toegangsprogramma, compensatie van de netverliezen door CDSO meetinrichtingen en meetgegevens : gemeten verbruiksprofiel, storingen en fouten, validatie en correctie van de meetgegevens, opslag, archivering en beveiliging van data, ter beschikking stellen van meetgegevens, historische verbruiksgegevens, rechtzetting van de fouten, decentrale productie-eenheid
	All CDS (connected to DSO and to Elia for installations <70 kV)	TR Distributie	Technisch Reglement voor de Distributie van Elektriciteit in het Vlaamse Gewest	Idem (except rules on coupling to another grid – chapter VI.3)
http://www.vreg.be/beheerders-van-gesloten-distributienetten : Very detailed reglementation				
Wallonia (regional level)	connected to Eia (réseau régional): ≤ 70 kV	electricity decree 04/2014 No rules in grid code		general principles (Art 15ter) on new production unit in CDS, TPA, connexion & access contracts, tariffs regime, network operation, relation with public network
	connected to DSO	electricity decree 04/2014 No rules in grid code		idem
http://www.cwape.be/?dir=4.9.2				
Brussels	no CDS			

A proposal based on competencies drivers

Topics	Examples	Federal regime driver	Regional regime driver	As Is / To be
General obligations	Discrimination prohibition ; Confidentiality obligation ; Coupling contract with other network operators (TSO-DSO) ; Remedies supply failures and interruptions	Transmission: parts of CDS operated at nominal voltage >70kV	Distribution & local transmission: parts of CDS operated at nominal voltage ≤ 70 kV	To be developed in FGC Existing in FI. GC To be developed in W. GC
Operation of CDS grid	System operation of CDS grid (security, reliability & efficiency); sound coordination and interaction between networks; planning criteria	Transmission: parts of CDS operated at nominal voltage >70kV	Distribution & local transmission: parts of CDS operated at nominal voltage ≤ 70 kV	To be developed in FGC Existing in FI. GC To be developed in W. GC
Third party access	Access holder register ; access contract with CDS users ; Conditions for refusal, suspension or termination of access; metering rules ; energy allocation ; data exchange with all market actors	Transmission: parts of CDS operated at nominal voltage >70kV	Distribution & local transmission: parts of CDS operated at nominal voltage ≤ 70 kV	To be developed in FGC Existing in FI. GC To be developed in W. GC

A proposal based on competencies drivers

Topics	Examples	Federal regime driver	Regional regime driver	As Is / To be
Market related issues	Nominations of BRPs active in CDS ; roles of BRP in a CDS ; balancing of the control area ; definition of products delivered from CDS to TSO and to the market (flexibility, ToE, imbalance tariff, SA offered by CDS grid user ...)	Residual exclusive competence (because of technical & economic indivisibility); Economic & monetary union, property right, competition rules	Partial competence: Energy efficiency ; Distribution & local transmission (technical constraints for clients connected at DSO-PVN levels)	To be developed in FGC To be developed in regional legislations (GC and others)
Technical issues	CDS grid infrastructures maintenance & development; power quality; connection contract with CDS users	Transmission: parts of CDS operated at nominal voltage >70kV	Distribution & local transmission: parts of CDS operated at nominal voltage ≤ 70 kV	To be developed in FGC Existing in FI. GC To be developed in W. GC
Tariffs	Tariffs principles and rules; ex-post approval by regulator	Transmission: parts of CDS operated at nominal voltage >70kV	Distribution & local transmission: parts of CDS operated at nominal voltage ≤ 70 kV	Regulatory rules at federal & regional levels

Topic CDS - Next steps

UG Position Paper

- Proposal : to adopt an Users' Group Position Paper on a competencies vision for CDS issues
 - To confirm the current federal/regional repartition of competencies
 - To complete the current regime
 - To have a dry book for proposing the textual modifications of FGC

To write a proposal on textual modifications of FGC

- Based on the current federal/regional repartition of competencies
- Using the latest developments regarding the market related issues